

Technical Data S3

Base machine

Specifications, speed, acceleration



08-2023

Specifications

repeatability ¹⁾	$\pm 0,03 \text{ mm}^* / \pm 0.001''^*$
position accuracy ¹⁾	$\pm 0,1 \text{ mm/m} / \pm 0.0012''/\text{ft} + \text{repeatability}^*$
floor load requirements	200 kg/m ² / 45 lbs/ft ²
interface	RS232C/V24, Ethernet 10/100Mbit
operating temperature	10 - 35 °C / 50-95 °F
relative humidity	10-80 % non condensing
noise emission ²⁾	< 75 dB(A)
max. material thickness	25 mm / 0.9''
max. material weight	10 kg/m ² / 2 lbs/ft ² (can affect the evenness of the working surface)
electrical requirements	3ph+N+GND, 208 V, 50/60 Hz, 20 A 3ph+N+GND, 400 V, 50/60 Hz, 16 A

Speed, acceleration ³⁾

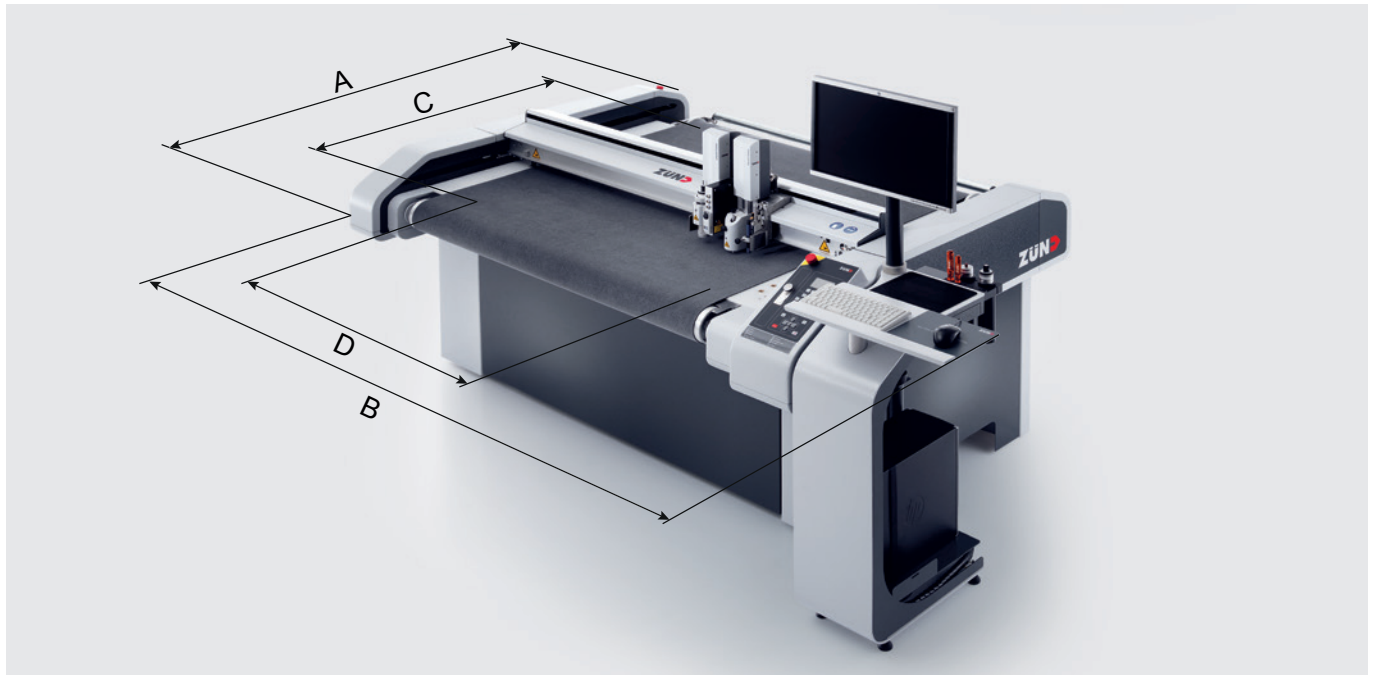
max. speed X/Y-axis	1414 mm/s / 55''/s
max. acceleration X/Y-axis	14,1 m/s ² / 555''/s ²
max. speed Z-axis	500 mm/s / 20''/s
max. acceleration Z-axis	64 m/s ² / 2520''/s ²
max. rotation speed T-axis	110 rad/s
max. rotation acceleration T-axis	4602 rad/s ²

- 1) X/Y drive system, static, at constant operating temperature (may vary depending on cutting tool/method).
- 2) Noise levels may vary between <75 dB(A) and ~85 dB(A) depending on ambient conditions and type of cutting technology, materials, and vacuum generator being used.
- 3) Depending on cutter size, modules.

Technical Data **S3**

Base machine

Dimensions, weight, material



Type	Working area (C x D)	Overall dimensions, incl. workstation (A x B)	Machine weight
M-800	830 mm × 1330 mm / 32" × 52"	1540 mm × 2760 mm / 60" × 109"	420 kg / 925 lbs
M-1200	1230 mm × 1330 mm / 48" × 52"	1940 mm × 2760 mm / 76" × 109"	490 kg / 1080 lbs
M-1600	1630 mm × 1330 mm / 64" × 52"	2340 mm × 2760 mm / 92" × 109"	560 kg / 1235 lbs
L-1200	1230 mm × 1800 mm / 48" × 70"	1940 mm × 3230 mm / 76" × 127"	560 kg / 1235 lbs
L-1600	1630 mm × 1800 mm / 64" × 70"	2340 mm × 3230 mm / 92" × 127"	610 kg / 1345 lbs
XL-1200	1230 mm × 2270 mm / 48" × 89"	1940 mm × 3700 mm / 76" × 146"	620 kg / 1365 lbs

Type	max. materialwidth cutter with static work surface	max. materialwidth cutter with material transport
M-series	1580 mm / 62"	1330 mm / 52"
L-series	2050 mm / 80"	1800 mm / 70"
XL-series	2520 mm / 99"	2270 mm / 89"

Technical data subject to change without notice.